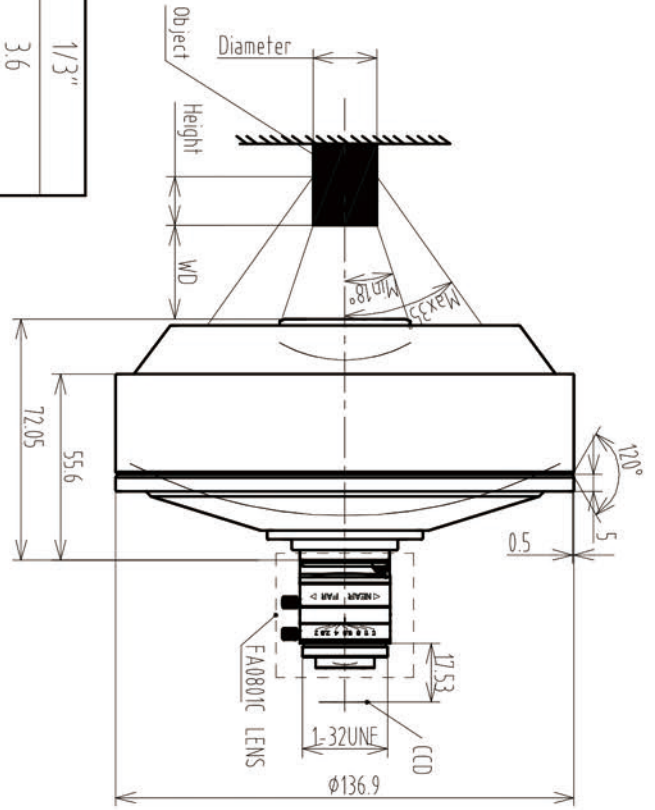
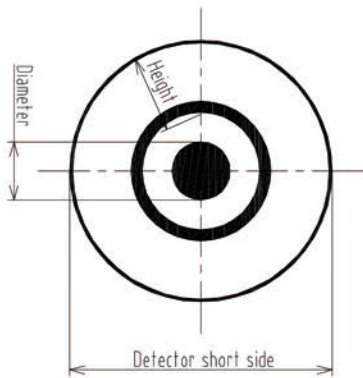
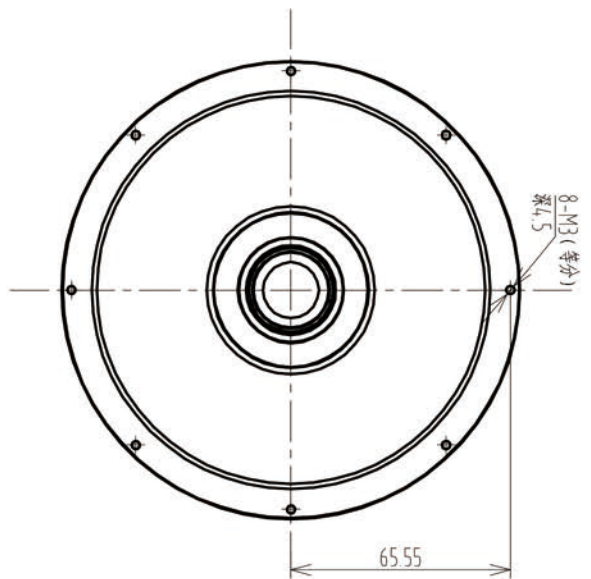


Detector Type	1/3"			
Image Circle	3.6			
Field of view (DiamxHeight)	Min	7.5x4.9		
	Typical	15x10.9		
	Max	25x19.54		
Wavelength Range	450-650			
Working Distance	19-46.2			
F/#	6-16			
Mount	C-mount			
Diameter	Height	WD	F/#	C
mm	mm	mm		%
7.5	4.6	46.2	16	14
10	6.8	42.2	12	19
15	10.9	34.5	10	30
20	15.3	26.9	8	43
25	19.54	19	6	55



$$c (\%) = \frac{\text{Top view diameter (px)}}{\text{Detector short side (px)}} \times 100$$



GD3601A